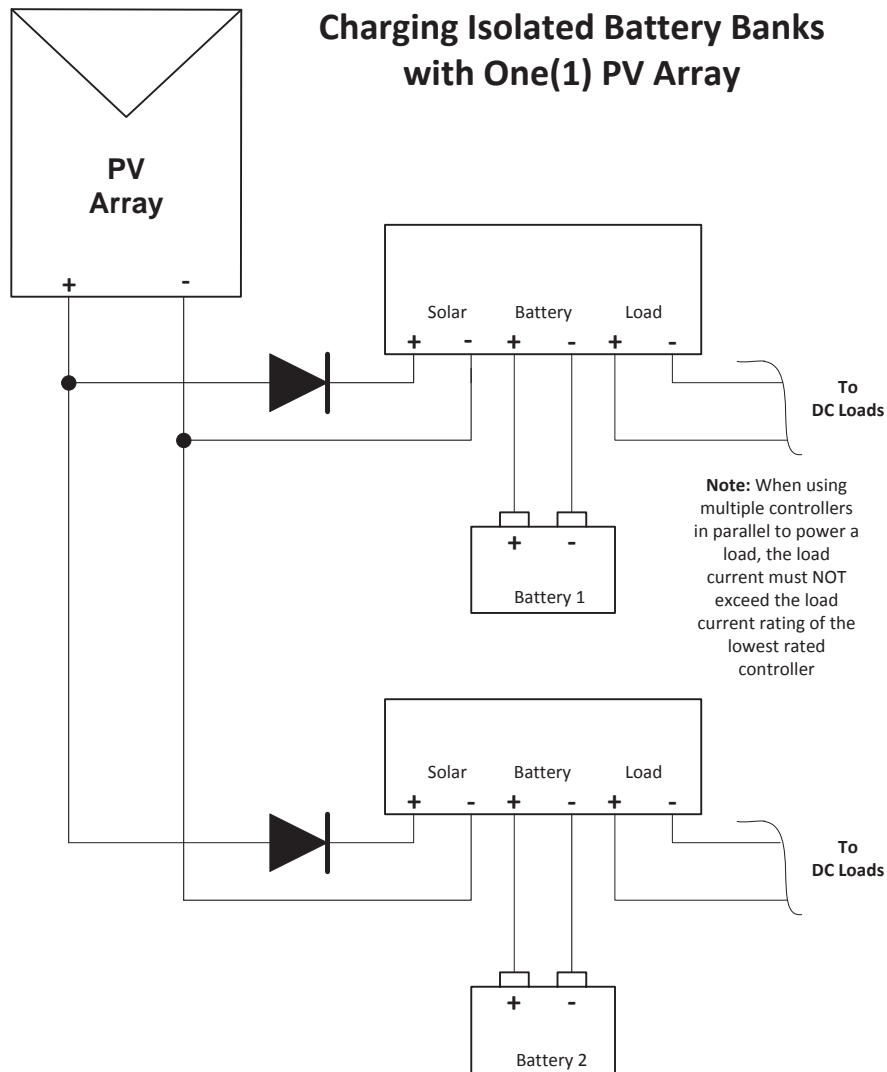


SunSaver



***Notes:**

Rating of the PV Array cannot exceed the rating of the lowest rated controller.

This applies to any Morningstar PWM charge controller.

Use blocking diodes rated sufficiently for your system.

Use appropriate fusing and disconnects